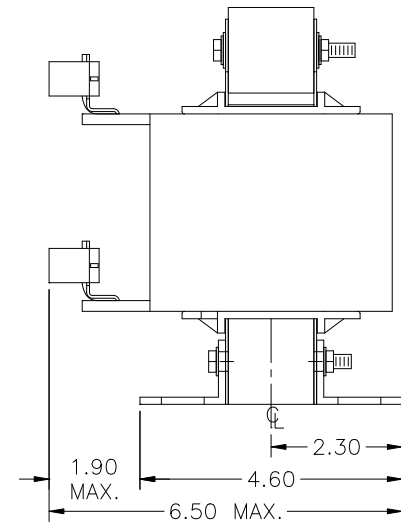
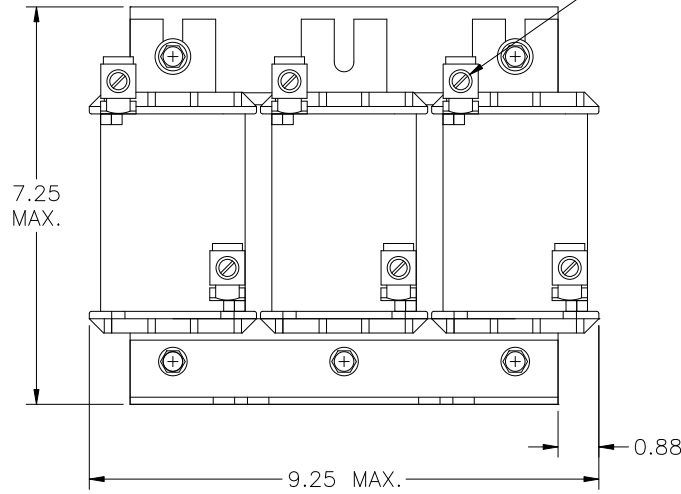
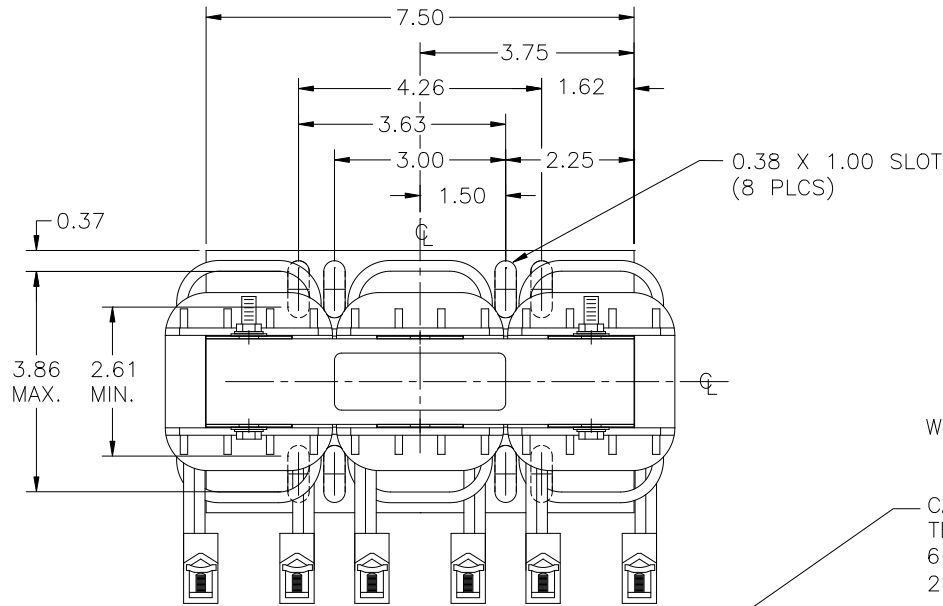


FILE: J:\ENG\PROD DOC\RL

INDUCTANCE	WEIGHT
0.15 mH	29 Lbs.

NO.	CHANGE DESCRIPTION	BY	DATE	C'K'D
-----	--------------------	----	------	-------



UNLESS OTHERWISE SPECIFIED, DIMENSIONS ARE IN INCHES [mm] AND TOLERANCES ARE:

DECI.	FRAC.
ANGLES	DRILLED HOLES

PART NAME: 3 PHASE REACTOR

DESCRIPTION: OUTLINE DIMENSION

FINISH:

MTE CORPORATION
MENOMONEE FALLS, WISCONSIN

RL-10001

REV.
12

SCALE	NTS	DATE	9/30/05	C'K'D
REF.	DR. BY	MDG	APP'D	